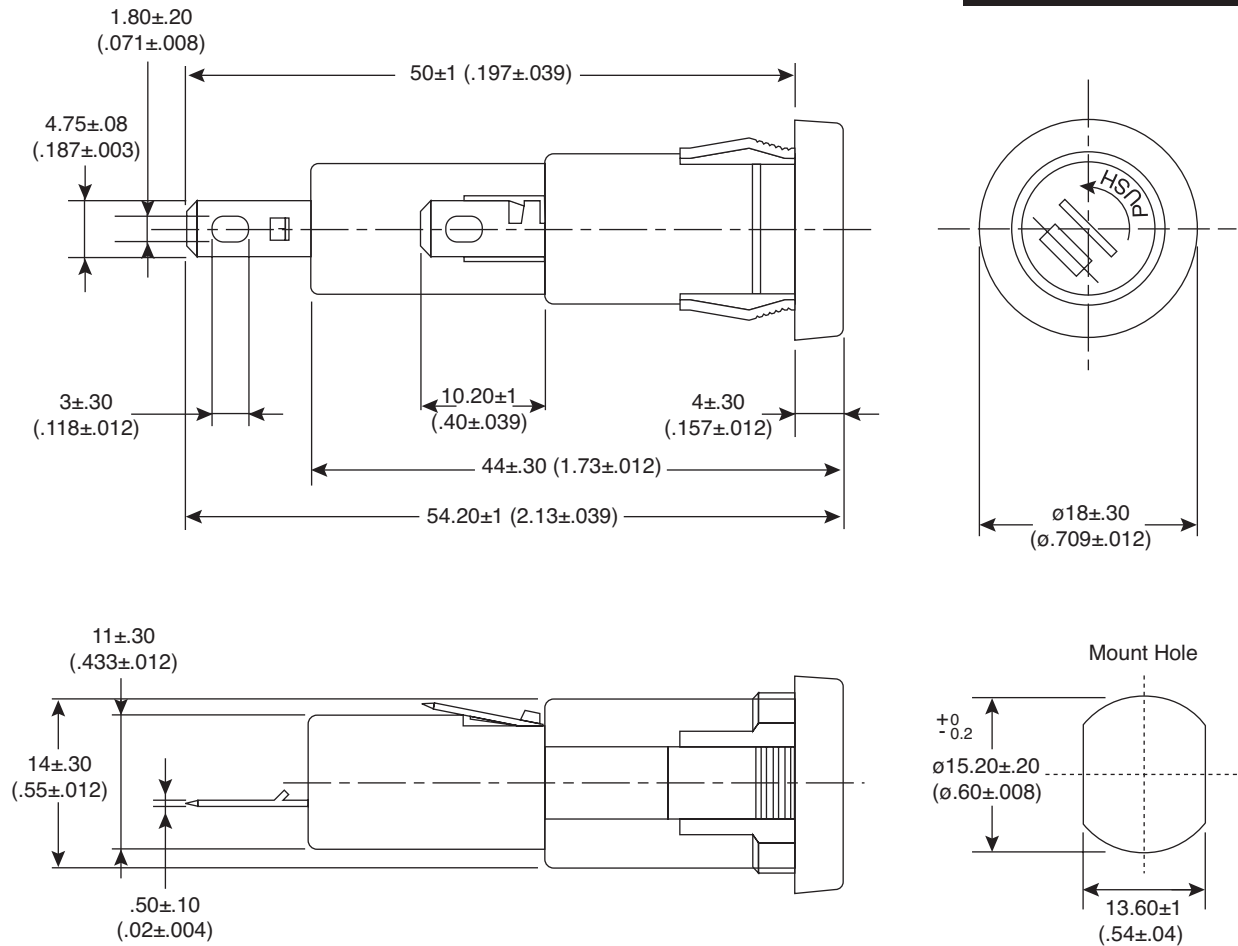


Date Last Revised: 3-5-07



Dimensions: mm (in.)

### SPECIFICATIONS

<b>Rating:</b>	10A/250V AC
<b>Insulation Resistance:</b>	500VDC 100MΩ min.
<b>Dielectric Strength:</b>	1500VAC 1 minute
<b>Fuse:</b>	ø6.35 x 31.8
<b>Fuse Size:</b>	1/4" x 1 1/4"
<b>Panel Thickness:</b>	.7mm ~ 2.5mm
<b>Base &amp; Cover:</b>	Nylon
RoHS Compliant	

Available from Mouser Electronics  
1-800-346-6873 / [www.mouser.com](http://www.mouser.com)

EPD-200530